

**Z164 12" DIAMETER COMBINATION MAIN ROOF AND OVERFLOW DRAIN WITH LOW SILHOUETTE DOMES AND DOUBLE TOP-SET® DECK PLATE**

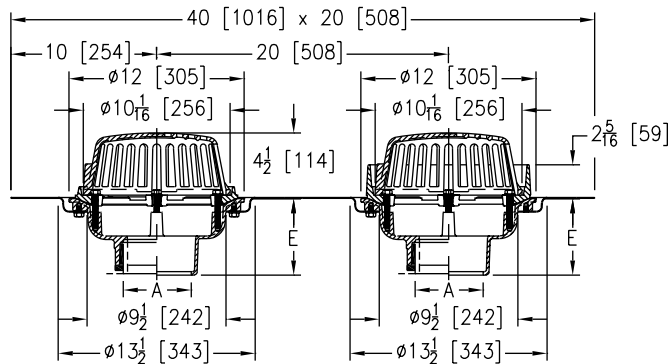


PATENTED

**ENGINEERING SPECIFICATION**

Zurn Z164 12" diameter roof drain and overflow drain feature Dura-Coated cast iron bodies with combination membrane flashing clamp/gravel guards, double Top-Set® deck plate and low silhouette cast iron domes.

A Pipe Size inches [mm]	Dome Open Area sq in [cm <sup>2</sup> ]	Approximate Weight lb [kg]
2 [51], 3 [76], 4 [102], 6 [152]	78 [503]	66 [30]



PREFIXES	DESCRIPTION	PIPE SIZE	LIST PRICE
<b>Z164*</b>	D.C.C.I. Body with 4-1/4" Dome	2", 3", 4", 6"	<b>1,938.00</b>
<b>ZA164</b>	D.C.C.I. Body with 6-9/16" Aluminum Dome	2", 3", 4", 6"	<b>2,117.00</b>

OUTLETS (SPECIFY PIPE SIZE IN INCHES AND TYPE OF OUTLET)			
OUTLET TYPE	OUTLET DESIGNATION (PIPE SIZE/OUTLET TYPE)	E BODY HT. DIM.	ADD
<b>IC</b>	Inside Caulk	2IC, 3IC, 4IC, 6IC	5-1/4" <b>N/C</b>
<b>IP</b>	Threaded	2IP, 3IP, 4IP, 6IP	3-3/4" <b>157.00</b>
<b>NH</b>	No-Hub	2NH, 3NH, 4NH, 6NH	5-1/4" <b>N/C</b>
<b>NL</b>	Neo-Loc (not recommended for roof drains)	2NL, 3NL, 4NL	4-5/8" <b>N/C</b>

SUFFIXES		ADD
<b>-AR</b>	Acid Resistant Epoxy Coated Finish	<b>2,031.00</b>
<b>-E</b>	Static Extension 1" thru 4"	D.C.C.I. <b>344.00</b> Galv. <b>654.00</b>
	For Each Additional 1" above 4" - Per Inch (Specify Height)	D.C.C.I. <b>173.00</b> Galv. <b>326.00</b>
<b>-G</b>	Galvanized Cast Iron	<b>789.00</b>
<b>-SC</b>	Secondary Clamping Collar	<b>366.00</b>
<b>-SS</b>	Stainless Steel Mesh Screen Over Dome	<b>934.00</b>
<b>-TC</b>	Neo-Loc Test Cap Gasket (2", 3", 4" NL Bottom Outlet Only)	<b>47.00</b>
<b>-VP</b>	Vandal-Proof Secured Top	<b>228.00</b>
<b>-XJ</b>	Vertical Expansion Joint (See Z190)	<b>-</b>
<b>-84</b>	Stainless Steel Perforated Gravel Guard 1" thru 4"	<b>1,566.00</b>
	For Each Additional 1" above 4" - Per Inch (Specify Height)	<b>72.00</b>
<b>-85</b>	Stainless Steel Perforated Extension 1" thru 4"	<b>1,577.00</b>
	For Each Additional 1" above 4" - Per Inch (Specify Height)	<b>72.00</b>

BEST SELLERS	LIST PRICE
Z164-3NH	<b>1,938.00</b>
Z164-3NH-SC	<b>2,304.00</b>
Z164-3NH-VP	<b>2,166.00</b>
ZA164-3NH-G	<b>2,906.00</b>
Z164-3NL	<b>1,938.00</b>
Z164-4NH	<b>1,938.00</b>
Z164-4NH-E4	<b>2,282.00</b>
Z164-4NH-VP	<b>2,166.00</b>
Z164-4NL	<b>1,938.00</b>
Z164-6NH	<b>1,938.00</b>
Z164-6NH-SC	<b>2,304.00</b>

Supplied By:  
  
**COMMERCIAL PLUMBING SUPPLY**

**877-903-7246**

[www.commercialplumbingsupply.com](http://www.commercialplumbingsupply.com)

For additional product information, please visit [www.zurn.com](http://www.zurn.com).

\*Regularly furnished unless otherwise specified.

Items designated as Best Sellers are most specified and are generally in stock for shipment.

Ⓢ This symbol denotes a product that is engineered to reduce installation and rework time.